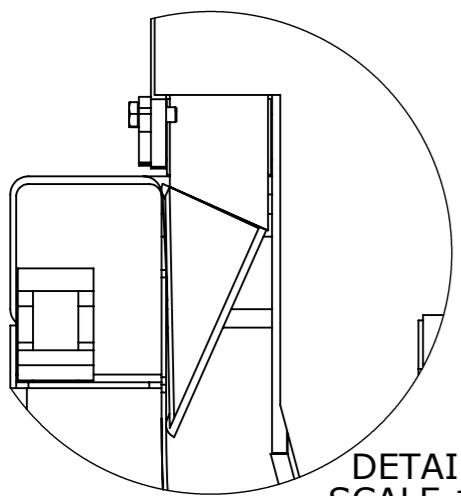
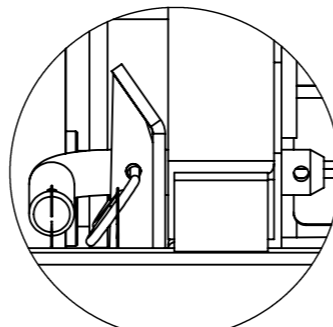
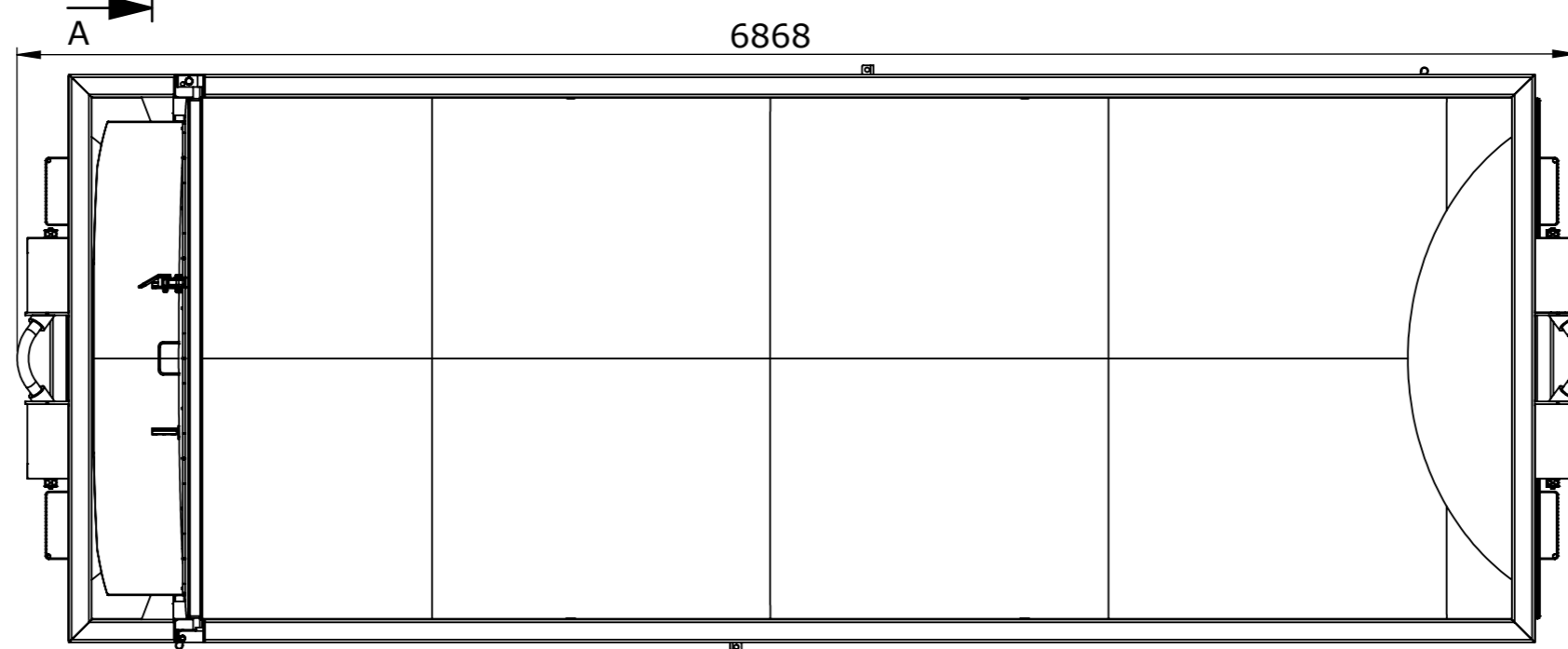


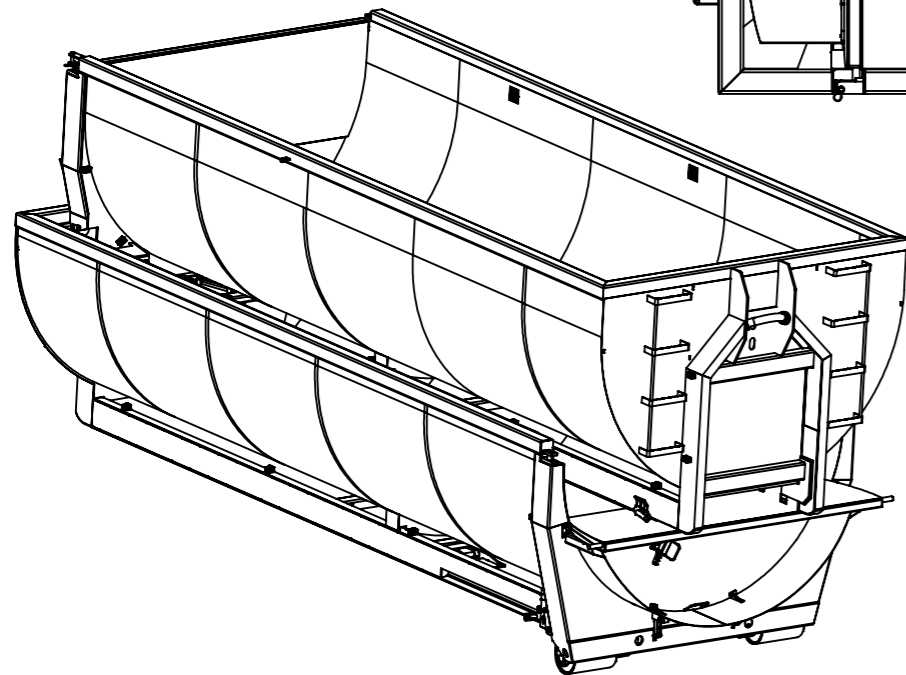
SECTION A-A
SCALE 1 : 31



DETAIL B
SCALE 1 : 5



DETAIL C
SCALE 1 : 5



Contact information



Hakarps Equipment AB
Mogölsvägen 10
555 93 Jönköping
www.hakarps.nu
+46 709-16 12 82

Reference dimensions -
Permissible deviation ISO 2768-1-m,
Permissible deviation ISO 2768-2-K

Last modified date
16/04/2020

	Designed by	Hakarps	Created date	29/01/2020
	Checked by			
	Approved by			

Surface treatment:					
Material	Weight, kg	Sheet	Scale	Size	Rev
	4997.7	1/1	1:31	A3	A
Project					

Name	Description	Dimensions/Length
HK-A.100	Stacked asphalt containers	